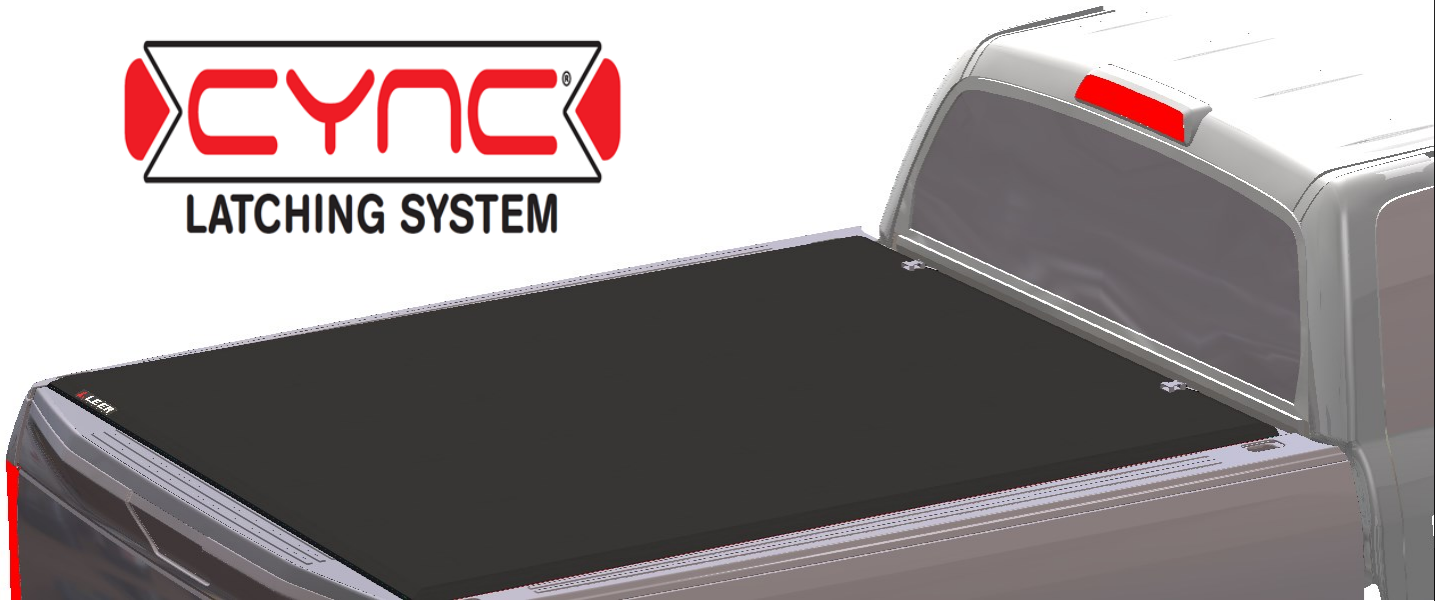


LEER®

SR 250

WITH LEER'S EXCLUSIVE



INSTALLATION INSTRUCTIONS & OWNER'S MANUAL

Thank you for purchasing the LEER[®] SR 250 soft rolling tonneau cover. At LEER, we looked at ways to make it better, front to back and inside out. We engineered components with new innovations at every point including our CYNCR[™] latching system (patented). The result is a soft rolling cover that's unlike any cover on the road today.

NOTICE TO INSTALLER: It is recommended you take time to read these instructions before installing the cover even if already familiar with the product. Improvements are often made without prior notice. Always handle the cover and components with care to avoid damage. If you find a part missing or defective, or if you have trouble installing this product, please have the model number ready (located on a tag under the first panel) and call your dealer. When done, these instructions and warranty information must be given to the customer to keep.

NOTICE TO CUSTOMER: Before using this product, read the operating instructions, maintenance and safety sections of this owner's manual and save for future reference. Your new LEER tonneau must be registered to make the warranty valid. Registration information can be found on the back page.

FOR YOUR RECORDS

DATE PURCHASED: _____

SERIAL NUMBER: _____

LEER RETAILER: _____

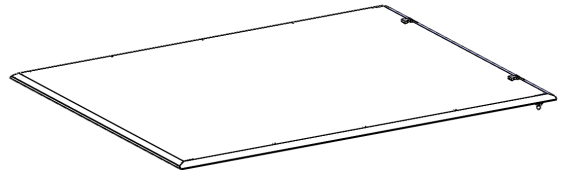
TABLE OF CONTENTS

Master Carton Components	2
Hardware Box Contents.....	2
Pre-Preparation	3
Installing Rail System	3
Installing Clamps	3
Installing Cover	4-5
Adjusting for Tautness (If Needed)	5
Replacement Parts	6-7
Warranty Policy.....	8

***Unpack components and inspect for missing or damaged components.
Open the truck's tailgate and clean truck bed if dirty.***

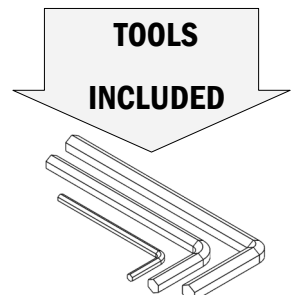
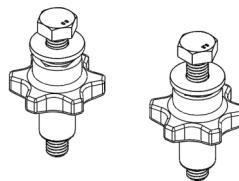
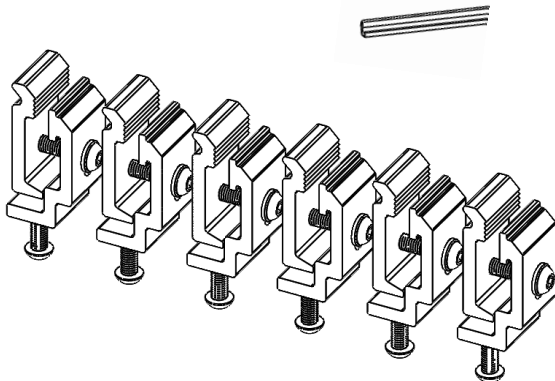
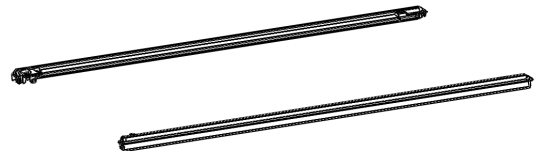
MASTER CARTON COMPONENTS

- 1 SOFT COVER ASSEMBLY
- 1 HARDWARE PACKAGE (See Details Below)
- 1 EACH LEFT HAND RAIL
- 1 EACH RIGHT HAND RAIL
- 1 EACH BULKHEAD SEAL



HARDWARE BOX CONTENTS

- 6 EACH CLAMP ASSEMBLY (STYLE VARIES PER CLAMP KIT)
- 2 EACH FRONT CROSSBAR HOLD DOWN
- 1 EACH 2.5MM ALLEN WRENCH
- 1 EACH 5MM ALLEN WRENCH
- 1 EACH 6MM ALLEN WRENCH



INSTALLATION INSTRUCTIONS

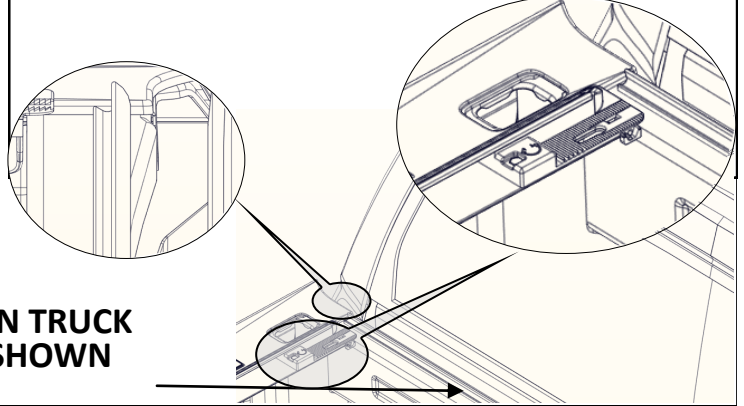
1 PRE-PREPARATION



**WASH TRUCK BOX
IF DIRTY**

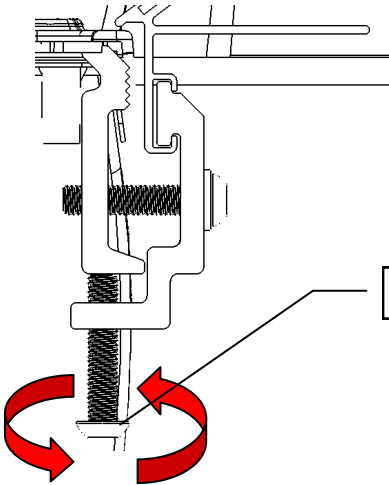
2 INSTALLING RAIL SYSTEM

**PLACE LEFT HAND RAIL NOTCH
FLUSH AS SHOWN. (INSTALL SAME ON RIGHT SIDE)**



**INSTALL BULKHEAD SEAL ON TRUCK
BULKHEAD IN LOCATION SHOWN**

3 INSTALLING CLAMPS



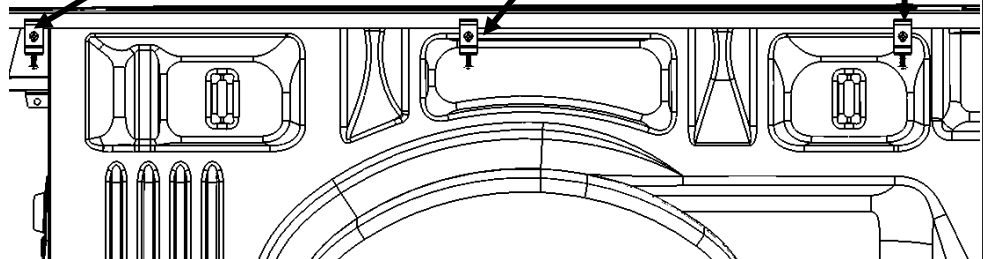
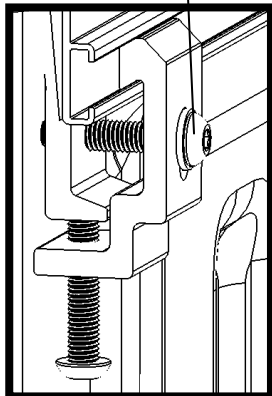
STEP 1:

**USE THESE THREE LOCATIONS TO PLACE CLAMP IN-
SIDE BED CHANNEL RAIL AS SHOWN. TIGHTEN
LOWER SCREW BY HAND UNTIL CONTACT IS MADE.
(CLAMP KIT STYLES VARY)**

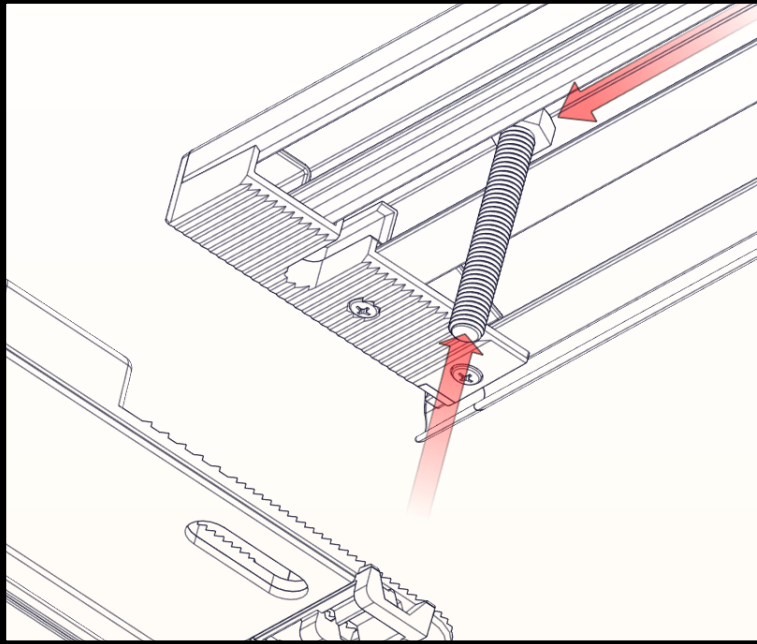
LOWER SCREW

CLAMP SCREW

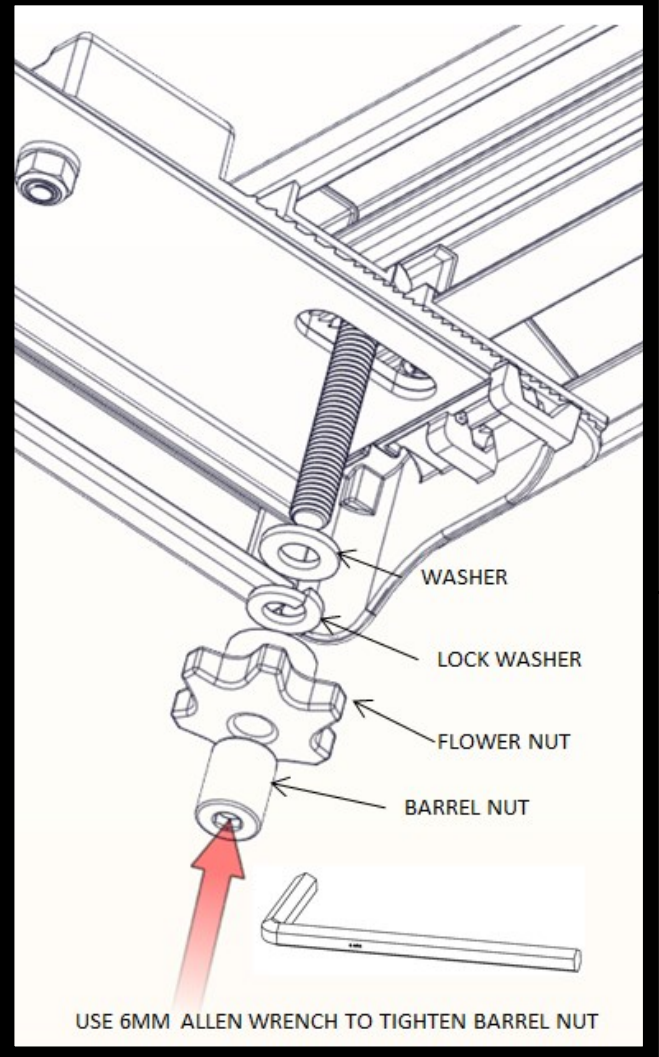
**STEP 2: TIGHTEN CLAMP SCREWS USING 5
MM ALLEN AS SHOWN. ONCE TIGHTENED
YOU MAY REMOVE LOWER SCREWS, RETAIN
THEM IF LATER ADJUSTMENTS ARE NEEDED.
(REPEAT STEPS FOR RIGHT HAND SIDE)**



4 **INSTALLING THE COVER**

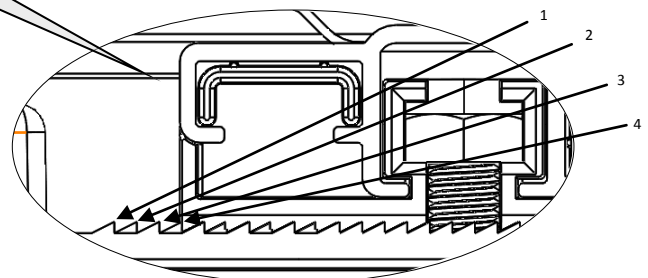
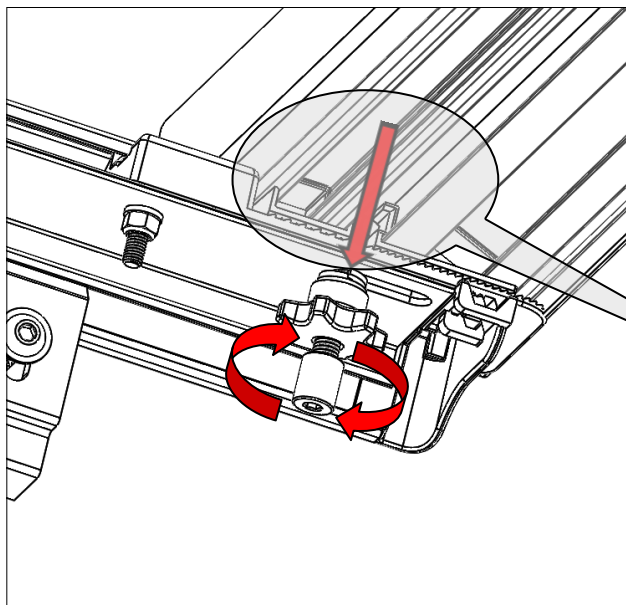


PLACE BOLTS IN FRONT OPEN SLOT AS SHOWN ABOVE.

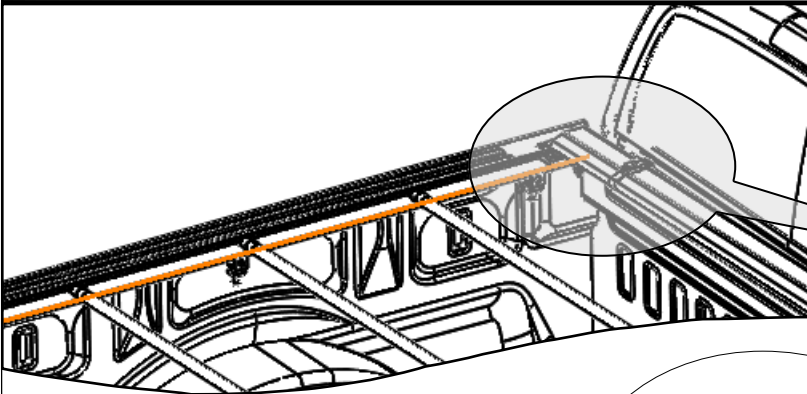


PLACE FRONT CROSS BAR BOLTS INSIDE RAIL SLOTS AS SHOWN ABOVE. LINE UP COVER ASSEMBLY ON FOURTH TOOTH AS SHOWN BELOW. FRONT SHIELD SHOULD BE PULLED OUT. SEE ABOVE FOR FASTENER ASSEMBLY SEQUENCE.

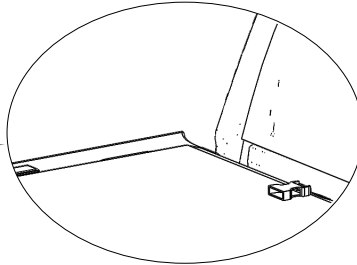
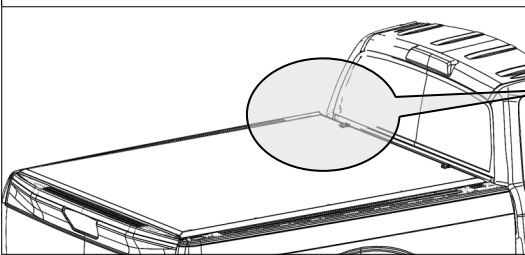
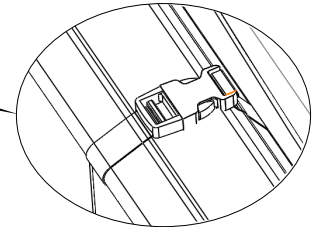
*** REPEAT FOR OPPOSITE SIDE**



4 INSTALLING THE COVER

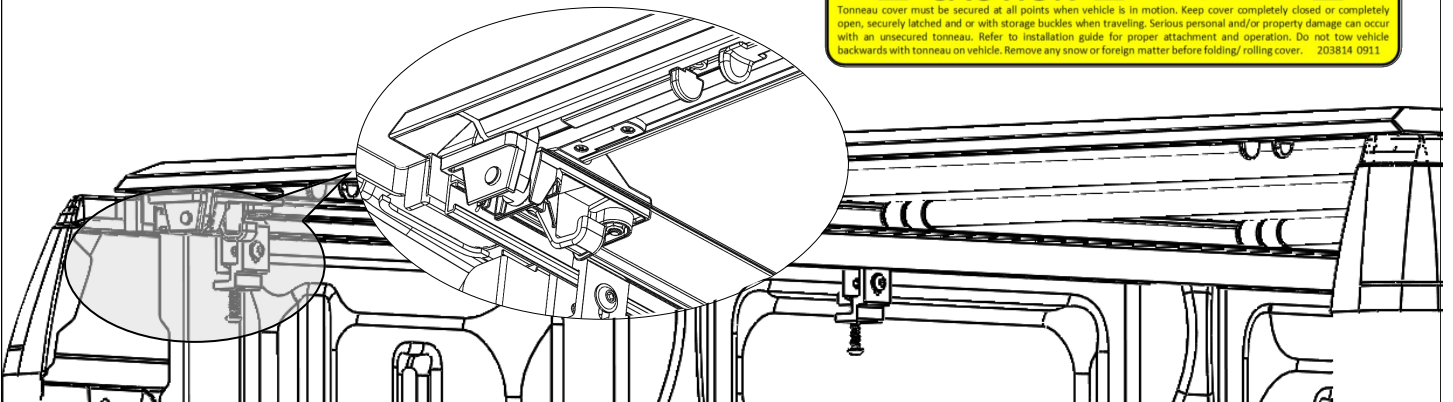


REMOVE CLIPS AND ROLL DOWN COVER AS SHOWN.

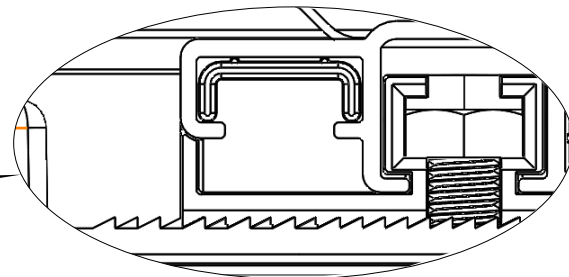
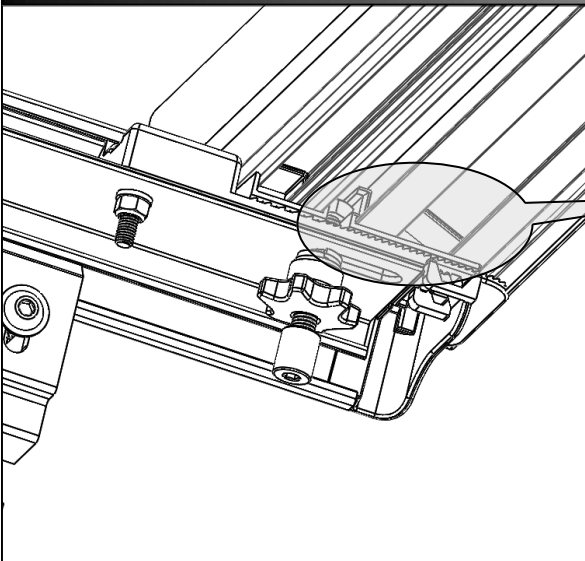


FOLD DOWN THE COVER AS SHOWN FOR CYNC LATCH ENGAGEMENT.

⚠ CAUTION ⚠ CAUTION ⚠
Tonneau cover must be secured at all points when vehicle is in motion. Keep cover completely closed or completely open, securely latched and/or with storage buckles when traveling. Serious personal and/or property damage can occur with an unsecured tonneau. Refer to installation guide for proper attachment and operation. Do not tow vehicle backwards with tonneau on vehicle. Remove any snow or foreign matter before folding/rolling cover. 203814 0911



5 ADJUSTING FOR TAUTNESS OF COVER (IF NEEDED)



← LOOSEN COVER

**(MOVE OVER TEETH
TOWARD REAR TAIL GATE)**

→ TIGHTEN COVER

**(MOVE OVER TEETH
TOWARD FRONT OF BED)**

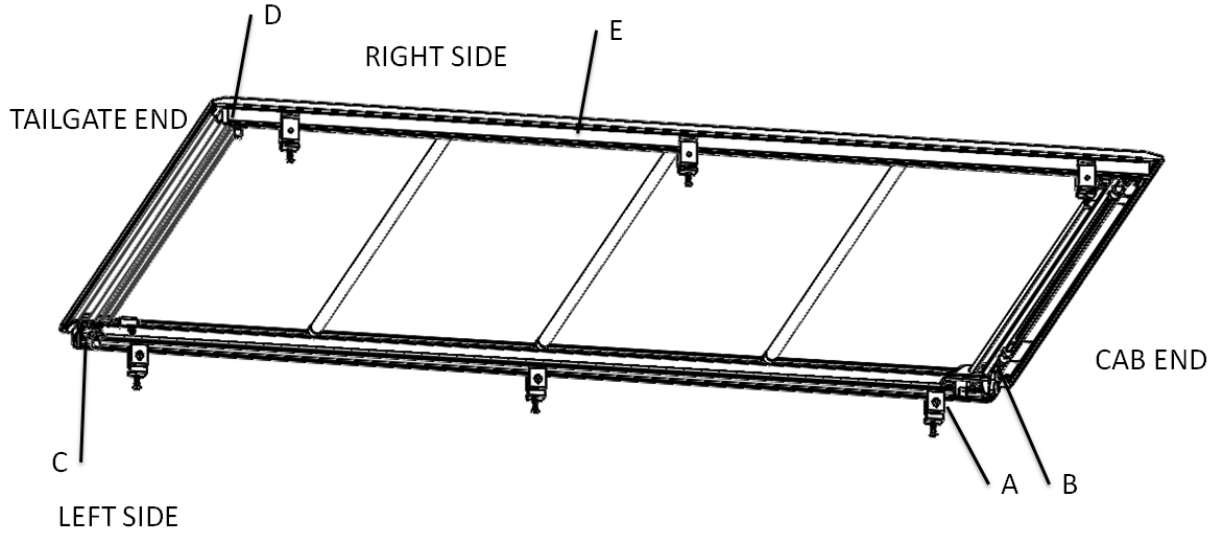
SR250 Rolling Tonneau Cover Replacement Parts Order Form

Name/Company _____	Phone _____
Address _____	Email _____
City _____	Truck Year/Make _____
State _____ Zip Code _____	Truck Bed Length _____

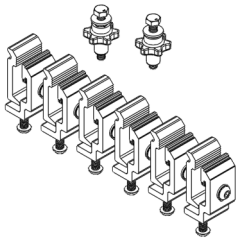
Please visit www.LEER.com to locate your nearest LEER Dealer for replacement parts and service.

IDENTIFIER	DESCRIPTION	QUANTITY	ITEM NUMBER	QTY ORDERED
A	LEER SR250 CLAMP KITS	1 EACH		
B	FRONT PART KIT	1 EACH	208388	
C	CYNC LATCH KIT	1 EACH	209037	
D	REAR LOCK KIT	1 EACH	208389	
E	RAIL SEAL KIT	1 EACH		

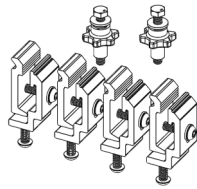
	PART NUMBER	DESCRIPTION	CLAMP KIT (A)	RAIL SEAL KIT (E)
FORD	610284	56FF04 2004-14 Ford F150 5'6"	206660	209041
	610285	66FF04 2004-14 Ford F150 6'6"	206660	209041
	610112	56FF15 2015+ Ford F150 5'6"	206660	209041
	610169	66FF15 2015+ Ford F150 6'6"	206660	209041
	610149	65FSD 2008-16 Ford Super Duty 6'9"	206660	209039
	610400	69FS17 2017+ Ford Super Duty 6'9"	206660	209041
CHEVY/GMC	610123	58GSO 2007-13 GM Silverado/Sierra 5'8"	206660	209038
	610159	65GSO 2007-13 GM Silverado/Sierra 6'6"	206660	209038
	610120	58GS14 2014-18 GM Silverado/Sierra 5'8"	206660	209038
	610170	66GS14 2014-18 GM Silverado/Sierra 6'6"	206660	209038
	610300	58GS19 2019+ GM Silverado/Sierra 5'8"	206660	209038
	610301	66GS19 2019+ GM Silverado/Sierra 6'6"	206660	209038
	610105	52GC15 2015+ GM Colorado/Canyon 5'2"	206660	209038
	610130	62GC15 2015+ GM Colorado/Canyon 6'2"	206660	209038
DODGE	610117	57DR09 2009-18 Dodge Ram 5'7"	206660	209039
	610137	64DR09 2009-18 Dodge Ram 6'4"	206660	209039
	610298	57DR19 2019+ Dodge Ram 5'7"	206660	209040
	610299	64DR19 2019+ Dodge Ram 6'4"	206660	209040
TOYOTA	610286	52TC16 2016+ Toyota Tacoma 5'2" w/Track	208933	209042
	610288	62TC16 2016+ Toyota Tacoma 6'2" w/Track	208933	209042
	610289	56TT14 2014+ Toyota Tundra 5'6" w/Track	208930	209041
	610290	66TT14 2014+ Toyota Tundra 6'6" w/Track	208930	209041
NISSAN	610115	56NT16 2016+ Nissan Titan 5'6" w/wo/Track	208940	209043
	610172	66NT16 2016+ Nissan Titan 6'6" w/wo/Track	208940	209043



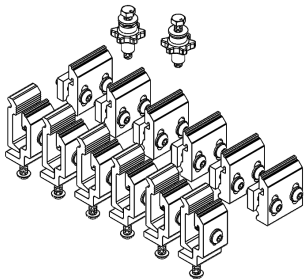
A LEER SR250 CLAMP KITS



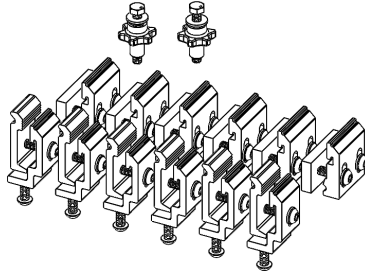
#206660



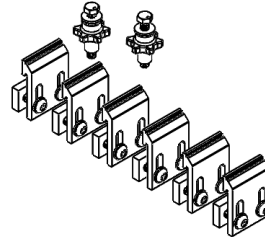
#206661



#208930



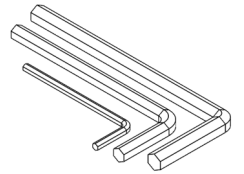
#208940



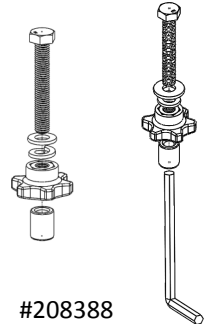
#208933

KITS A BOX CONTENTS

- 1 KIT CLAMP KIT ASSEMBLIES (STYLE VARIES PER CLAMP KIT)
- 1 EACH 2.5MM ALLEN WRENCH
- 1 EACH 5MM ALLEN WRENCH
- 1 EACH 6MM ALLEN WRENCH
- 1 EACH FRONT PART KIT

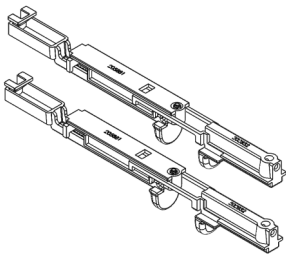


B FRONT PART KIT



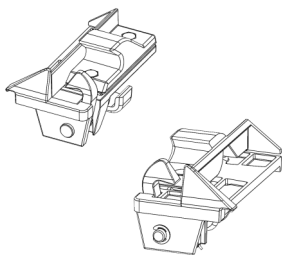
#208388

C CYNC LATCH KIT



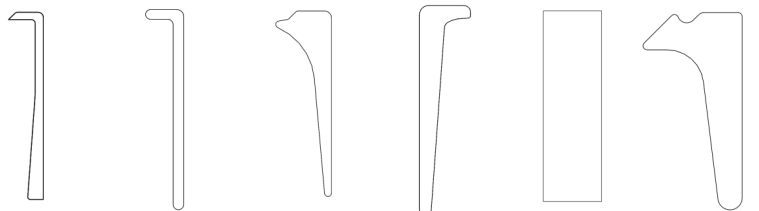
#209037

D REAR LOCK KIT



#208389

E RAIL SEAL KITS (INCLUDES BULKHEAD SEAL)



#209038

#209039

#209040

#209041

#209042

#209043

LIMITED LIFETIME WARRANTY POLICY**COVERAGE:**

LEER®, a Division of Truck Accessories Group, LLC, warrants you, the original retail purchaser, that your LEER® SR 250 soft rolling tonneau cover is free from defects in the material and workmanship. The warranty will void if the product has been damaged by accident, neglect, abuse, inappropriate use, improper installation or acts of God. LEER may, at our sole discretion, either repair or replace products that prove to be defective.

WARRANTY PERIOD:

This warranty shall apply for Limited Lifetime as long as the LEER® SR250 soft rolling tonneau is in the possession of the original purchaser on original truck and a proof of purchase (original sales receipt) is submitted.

LIMITATIONS:

The above warranty shall apply only if ALL of the following conditions are met.

1. The original purchase only is covered and is not transferable.
2. The LEER® SR250 soft rolling tonneau cover is on the original owner's truck.
3. The LEER® SR250 soft rolling tonneau cover is properly installed.
4. The LEER® SR250 soft rolling tonneau cover has not been modified.
5. Consequential damages, including damage to cargo or truck bed, are not covered.

NOT COVERED UNDER WARRANTY:**1. Blown Off Covers:**

- A. LEER will not warranty a LEER® SR250 soft rolling tonneau that comes off the truck while driving or by wind.
- B. Consumer responsibility to check clamps before driving.

2. Paint damage to your truck.

3. Damage resulting from improper or careless unpackaging. Never open packaging with box cutter or any sharp instrument as it may scratch or damage contents.

4. Damage caused by improper use, operation outside the products specifications, or use other than the cover's intended application.

5. Failure to install and operate equipment according to the guidelines put forth in the installation manual.

6. Damage occurring during transit provided by 3rd party shipping, example UPS or FEDEX. Claims must be filed directly with 3rd party shipper.

THIS EXPRESS LIMITED WARRANTY IS THE SOLE AND EXCLUSIVE WARRANTY PROVIDED BY TRUCK ACCESSORIES GROUP, LLC FOR THIS PRODUCT. LEER DOES NOT MAKE AND HEREBY DISCLAIMS ANY AND ALL OTHER EXPRESS OR IMPLIED WARRANTIES, INCLUDING BUT NOT LIMITED TO THE IMPLIED WARRANTY OF MERCHANTABILITY AND THE IMPLIED WARRANTY OF FITNESS FOR A PARTICULAR PURPOSE.

REPLACEMENT PARTS:

Contact your LEER Authorized Retailer for a list of replacement parts and cost.

SAFETY & CARE TIPS:

1. Take care of your equipment.
2. Periodically check your clamps for proper tension and make sure they are clamped down before traveling.
3. When you are riding with the cover in the rolled open position, make sure the tie-down straps are fastened.
4. Periodic cleaning with mild soap and water only. Avoid use of abrasive pads or harsh cleaners as they can dull finish. Avoid use of chemicals and harsh fluids as they can damage vinyl and seals voiding the warranty.

CLAIMS:

If you have any warranty issues, please contact your dealer for assistance.

REGISTRATION:

Registering your LEER® SR250 is an important step to ensuring you get the best possible ownership experience. At the same time, we would like to better understand how your truck fits into your life. Feedback from LEER owners helps us design products that better fit your needs.

REGISTER TODAY AT: <http://www.leer.com/Leer-warranty-survey>.

P/N: #207737